

10440105.051402

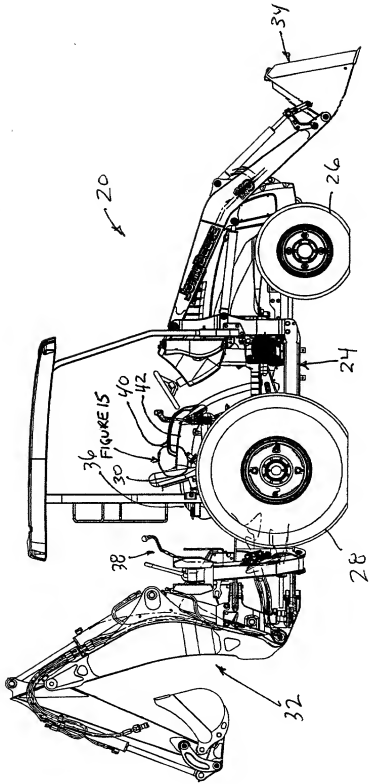
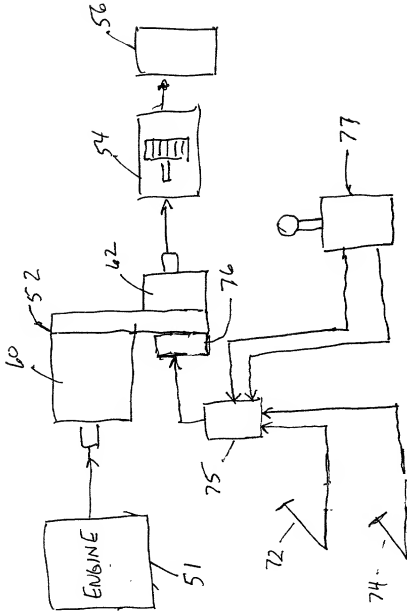


FIG 1

FIG 2



10040105.051402

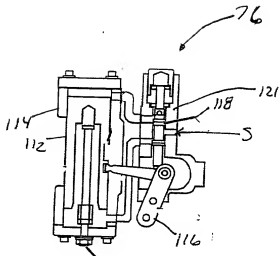


FIG. 3

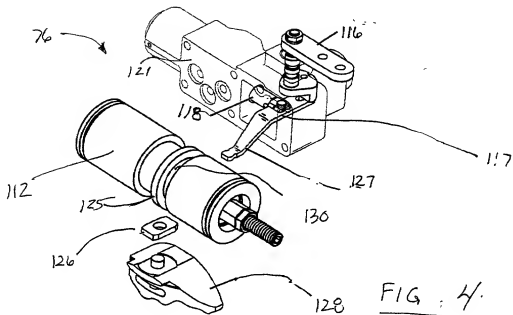
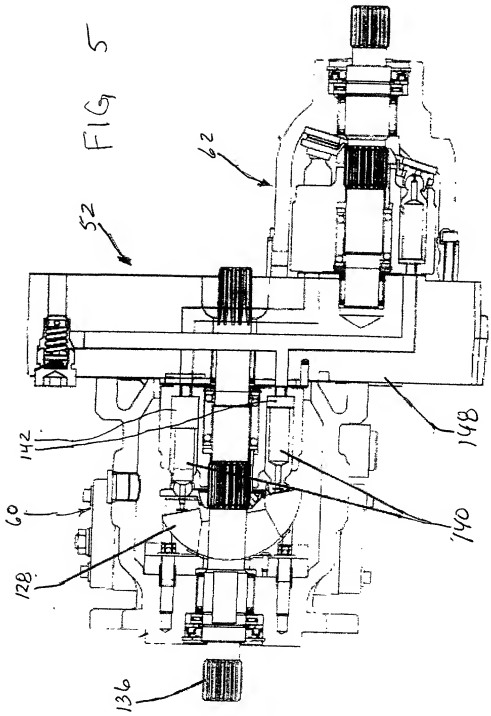
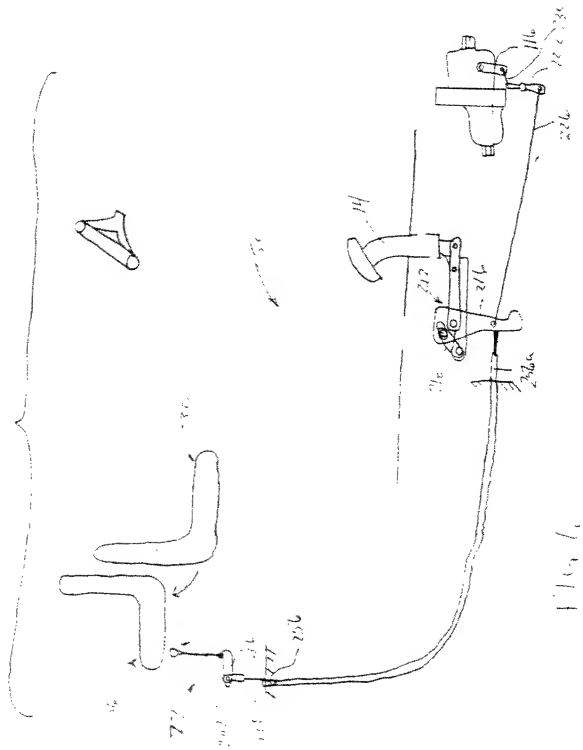


FIG. 4

10049105.051402



10040105.051402



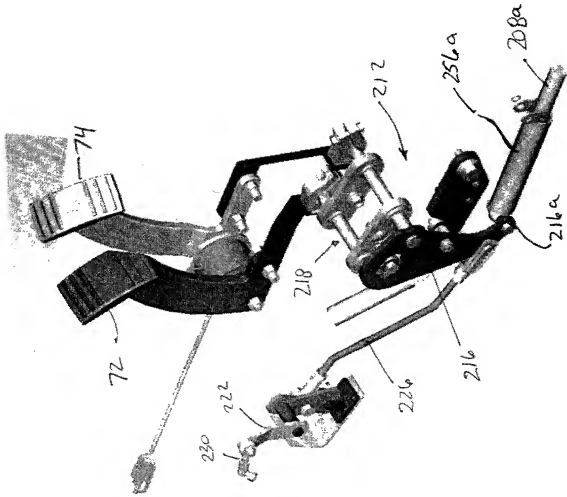
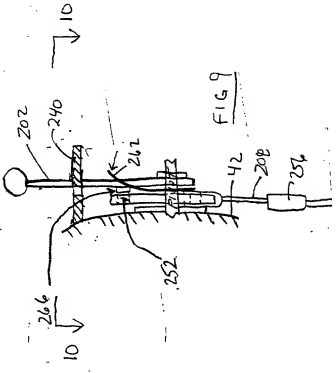
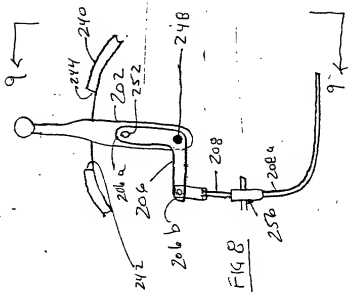
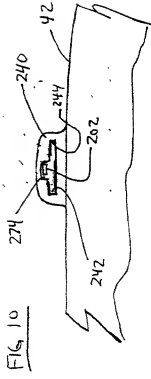


FIG 7



← N →



1004105.051402

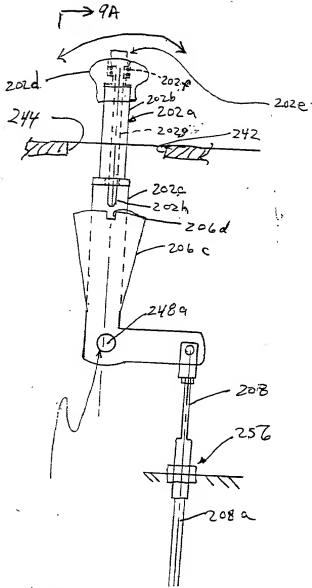


FIG 8A

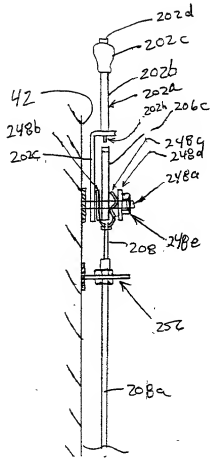
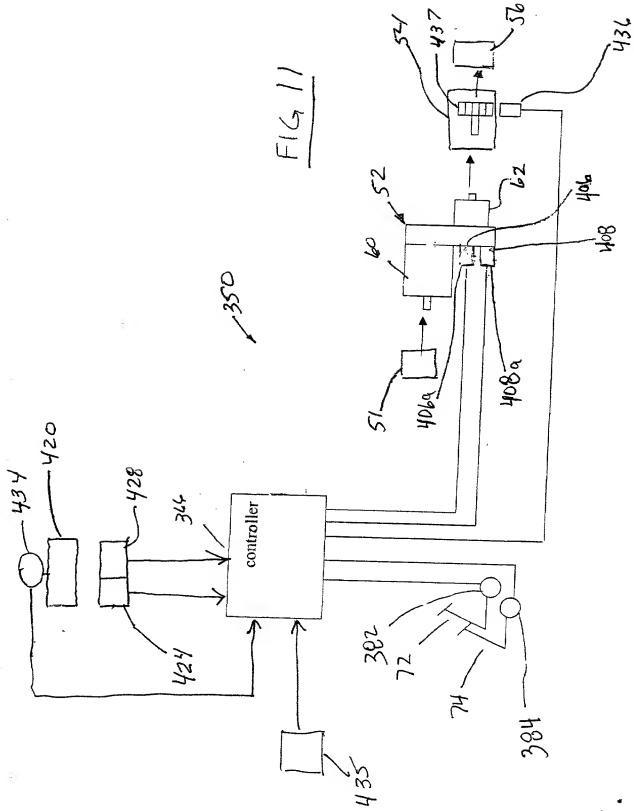
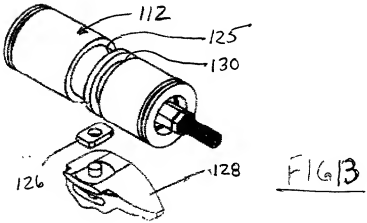
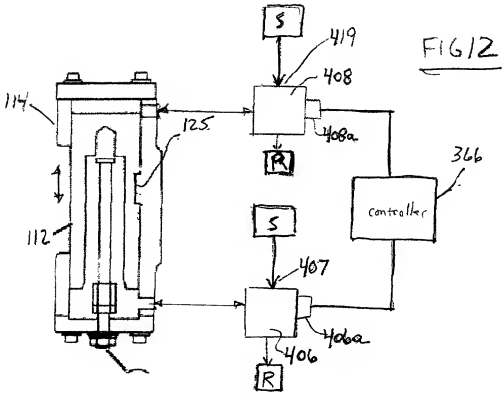


FIG 9A





10040405.051402



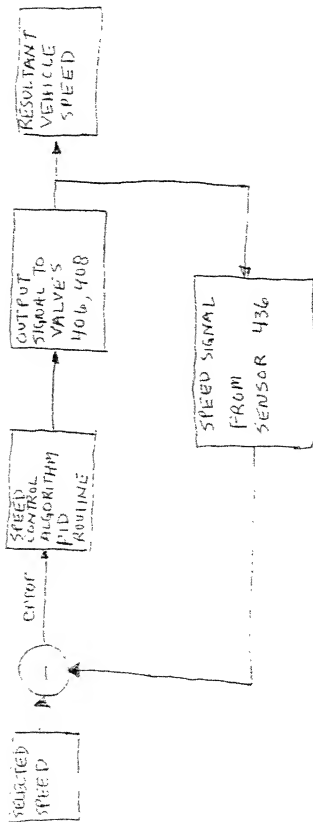


FIG 14

10040105.051402

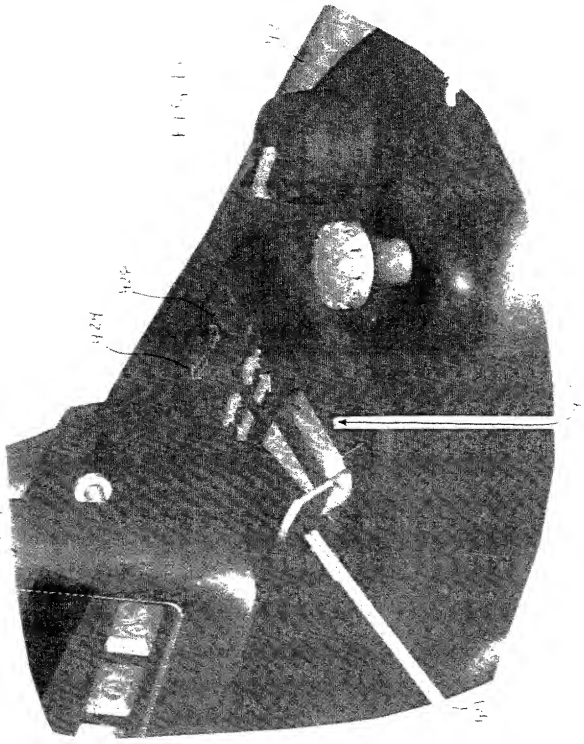


Fig. 16

